



## JF-VS SERIES & JF-EVS SERIES

# VERTICAL TURRET MILL & ELECTRONIC VARIABLE SPEED MILL

### FEATURES

- Meehanite casting
- Harden & ground table
- Class 7 spindle bearings
- Double saddle locks
- Built-in one-shot lube system
- Precision hand scraped
- High precision chromed quill
- Harden, ground and X,Y axis turcrite slideways
- Electronic variable speed driven by AC frequency inverter drive, less noise & less vibration (JF-EVS Series)



**JF-2VS  
Vertical Turret Mill**



**JF-4VS  
Vertical Turret Mill**



**JF-5EVS**



Strengthened structure and wide machining availability of headstock and universal swivels, along with ductile iron and bi-axial locking studs doubles the strength of conventional long-bolt assembly.

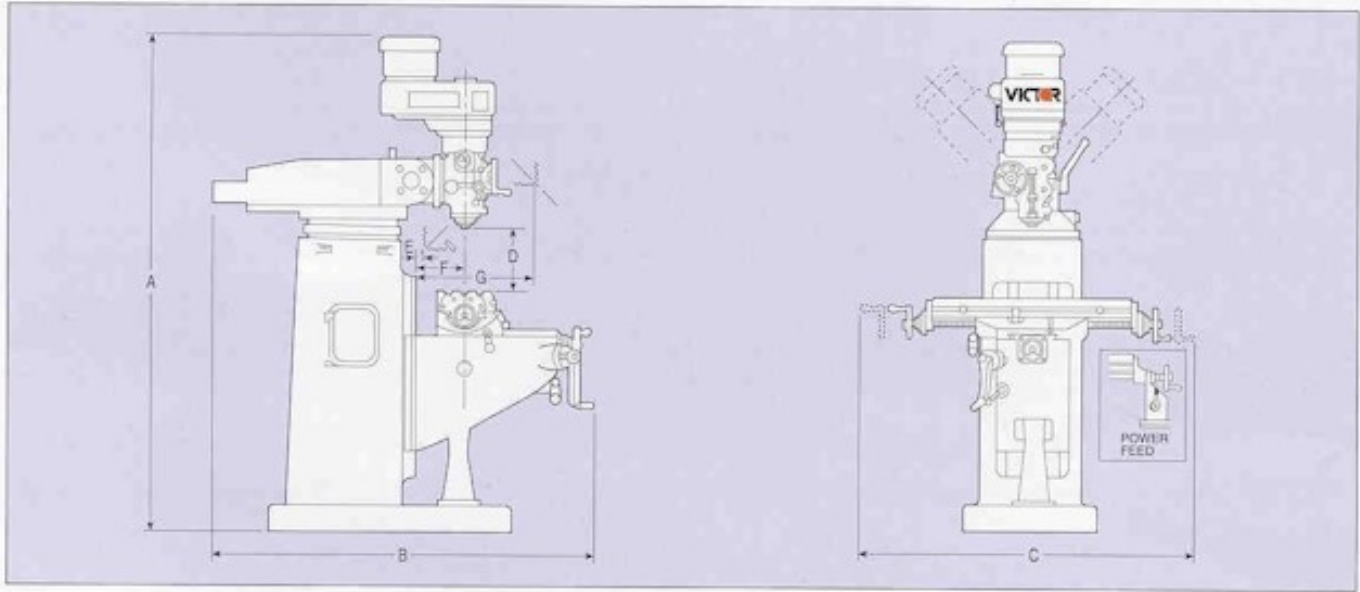


All have exceptionally high one-piece bed and column casting with box structure and special Double Wall design, times the rigidity and damping capacity that traditional ribs can offer. (Except JF-2VS & 2EVS)



**JF-5VSL**





SPECIFICATIONS	JF-2VS / JF-2EVS	JF-3VS / JF-3EVS	JF-4VS / JF-4EVS
Table size	9" x 49" (228.6 x 1,244.6 mm)	10" x 50" (254 x 1,270 mm)	10" x 54" (254 x 1,371.6 mm)
T-slots	5/8" x 3		
Longitudinal travel	35" (889 mm) 32" (812.8 mm) with Powerfeed	36" (914.4 mm) 33" (838.2 mm) with Powerfeed	40" (1,016 mm) 36" (914.4 mm) with Powerfeed
Cross travel	12" (304.8 mm)	16" (406.4 mm)	
Vertical travel of knee	16" (406.4 mm)		
Spindle motor	3 HP 3 Phase (Optional single phase on JF-2EVS/3EVS/4EVS)		
Spindle taper	R8		
Spindle speeds	60 ~ 4,200 rpm Inverter drive electronic variable speed (JF-2EVS/3EVS/4EVS)		
Quill travel	5" (127 mm)		
Quill feeds	0.0017" (0.04 mm) 0.0032" (0.08 mm) 0.0053" (0.13 mm)		
Quill diameter	3-3/8" (85.56 mm)		
Swiveling angle of head	90°		
Head inward & outward	45°		
<b>Machine Dimensions</b>			
A. Overall height	83" (2,108 mm)		84" (2,133.6 mm)
B. Overall depth	76.15" (1,935 mm)		77.18" (1,960.4 mm)
C. Overall width	89" (2,260.6 mm)		105" (2,667 mm)
D. Minimum distance	3" (76.2 mm)		1.5" (38.1 mm)
D. Maximum distance	18.5" (469.9 mm)		16.88" (428.7 mm)
E. Minimum distance	0		
E. Maximum distance	10.0031" (254.08 mm)		9.862" (250.49 mm)
F. Minimum distance	5-1/4" (133.375 mm)		1.25" (31.75 mm)
F. Maximum distance	17-1/2" (437.5 mm)		17.25" (438.15 mm)
G. Minimum distance	10" (254 mm)		
G. Maximum distance	21-5/8" (548.2 mm)		23" (584.2 mm)
Approx. Net weight	2,050 lb. (930 kg)	2,640 lb. (1,200 kg)	3,450 lb. (1,570 kg)
Packing Dimensions (L x W x H)	55" x 54" x 74" (1,400 x 1,370 x 1,880 mm)	70" x 62" x 76" (1,778 x 1,575 x 1,930 mm)	70" x 62" x 76" (1,778 x 1,575 x 1,930 mm)

• Specifications are subject to change without notice for further design improvements.



SPECIFICATIONS	JF-5VS / JF-5EVS	JF-5VSL
Table size	10" x 54" (254 x 1,371.6 mm)	11.81" x 59" (300 x 1,500 mm)
T-slots	5/8" x 3	
Longitudinal travel	40" (1,016 mm) 36" (914.4 mm) with Powerfeed	40" (1,016 mm) 36" (914.4 mm) with Powerfeed
Cross travel	16" (406.4 mm)	16.2" (411.5 mm)
Vertical travel of knee	16" (406.4 mm)	18.1" (459.7 mm)
Spindle motor	5 HP 3 Phase (Optional single phase on JF-5EVS)	
Spindle taper	NT# 40	
Spindle speeds	60 ~ 3,600 rpm Inverter drive electronic variable speed (JF-5EVS)	
Quill travel	6" (152.4 mm)	
Quill feeds	0.0017" (0.04 mm), 0.0032" (0.08 mm), 0.0053" (0.13 mm)	
Quill diameter	4.13" (104.9 mm)	
Swiveling angle of head	90°	
Head inward & outward	45°	
A. Overall height	105" (2,667 mm)	
B. Overall depth	77.18" (1,960.4 mm)	
C. Overall width	105" (2,667 mm)	108" (2,743 mm)
D. Minimum distance	1.5" (38.1 mm)	2.5" (63.5 mm)
D. Maximum distance	20.75" (527 mm)	18.5" (470 mm)
E. Minimum distance	0	
E. Maximum distance	9.862" (250.49 mm)	
F. Minimum distance	1.25" (31.75 mm)	
F. Maximum distance	17.25" (438.15 mm)	
G. Minimum distance	10" (254 mm)	
G. Maximum distance	23" (584.2 mm)	
Approx. Net weight	3,590 lb. (1,630 kg)	3,900 lb. (1,770 kg)
Packing Dimensions (L x W x H)	70" x 62" x 76" (1,778 x 1,570 x 1,930mm)	90" x 63" x 81" (2,286 x 1,600 x 2,060mm)

• Specifications are subject to change without notice for further design improvements.

#### STANDARD MACHINE ACCESSORIES

1. Draw Bar
2. One-Shot Lubrication System
3. Front & Rear Rubber Way Covers

#### JF-5VS / JF-5VSL ADDITIONAL ACCESSORIES:

1. Table Elevating Motor
2. Upgrade to Auto Lube System
3. Control Panel
4. Coolant System with Chip Pan (JF-5VSL Only)

#### OPTIONAL MACHINE ACCESSORIES

1. Chip Pan
2. Milling Vise
3. Clamping Kit
4. R8 Collet Set
5. Coolant System (Flood Type)
6. Digital Readout (DRO)
7. Air Power Drawbar
8. Right Angle Head
9. Horizontal Mill Attachment
10. Power Feed on X, Y, & Knee Axis
11. Slotting Head
12. Work Light



## MACHINERY SOLUTIONS, INC.

For more information please call: (310) 537-2522

web-site: [www.VictorMachines.com](http://www.VictorMachines.com) e-mail: [info@VictorMachines.com](mailto:info@VictorMachines.com)