



JF-VS SERIES & JF-EVS SERIES

VERTICAL TURRET MILL & ELECTRONIC VARIABLE SPEED MILL

FEATURES

- Meehanite casting
- Harden & ground table
- Class 7 spindle bearings
- Double saddle locks
- Built-in one-shot lube system
- Precision hand scraped
- High precision chromed quill
- Harden, ground and X,Y axis turcrite slideways
- Electronic variable speed driven by AC frequency inverter drive, less noise & less vibration (JF-EVS Series)



JF-2VS
Vertical Turret Mill



JF-4VS
Vertical Turret Mill



JF-5EVS



All have exceptionally high one-piece bed and column casting with box structure and special Double Wall design, times the rigidity and dampening capacity that traditional ribs can offer. (Except JF-2VS & 2EVS)

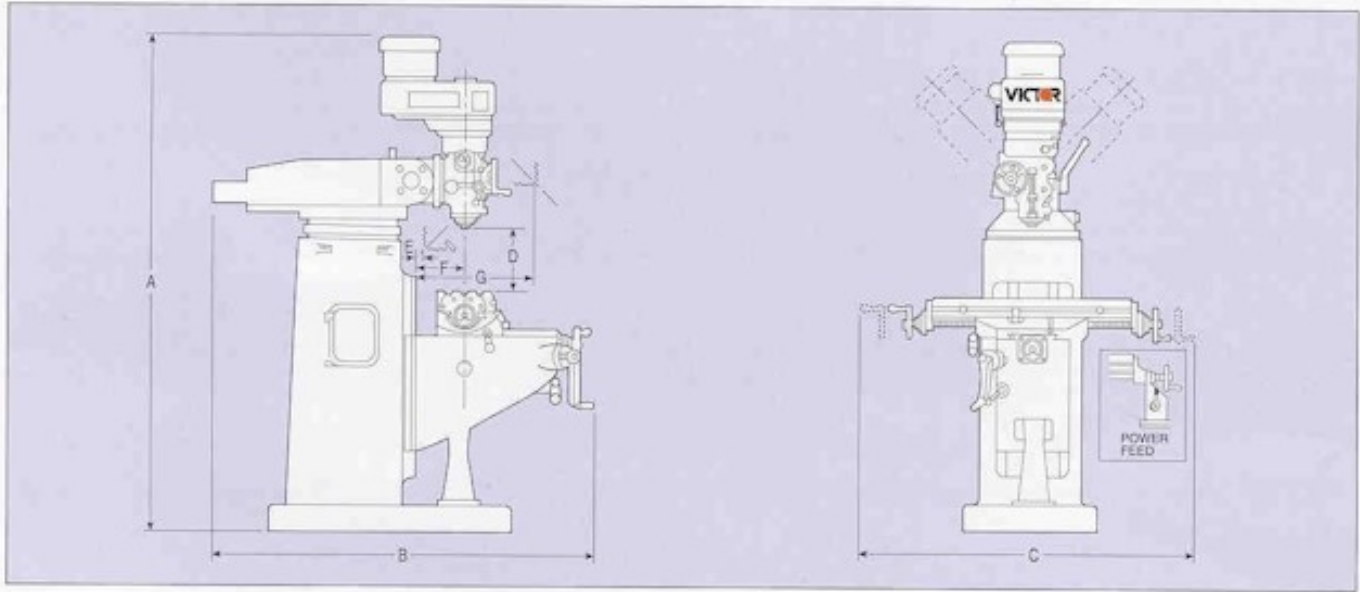


Strengthened structure and wide machining availability of headstock and universal swivels, along with ductile iron and biactional locking studs doubles the strength of conventional long-bolt assembly.



JF-5VSL

Shown with optional chip tray



SPECIFICATIONS	JF-2VS / JF-2EVS	JF-3VS / JF-3EVS	JF-4VS / JF-4EVS
Table size	9" x 49" (228.6 x 1,244.6 mm)	10" x 50" (254 x 1,270 mm)	10" x 54" (254 x 1,371.6 mm)
T-slots	5/8" x 3		
Longitudinal travel	35" (889 mm) 32" (812.8 mm) with Powerfeed	36" (914.4 mm) 33" (838.2 mm) with Powerfeed	40" (1,016 mm) 36" (914.4 mm) with Powerfeed
Cross travel	12" (304.8 mm)	16" (406.4 mm)	
Vertical travel of knee	16" (406.4 mm)		
Spindle motor	3 HP 3 Phase (Optional single phase on JF-2EVS/3EVS/4EVS)		
Spindle taper	R8		
Spindle speeds	60 ~ 4,200 rpm Inverter drive electronic variable speed (JF-2EVS/3EVS/4EVS)		
Quill travel	5" (127 mm)		
Quill feeds	0.0017" (0.04 mm) 0.0032" (0.08 mm) 0.0053" (0.13 mm)		
Quill diameter	3-3/8" (85.56 mm)		
Swiveling angle of head	90°		
Head inward & outward	45°		
Machine Dimensions			
A. Overall height	83" (2,108 mm)		84" (2,133.6 mm)
B. Overall depth	76.15" (1,935 mm)		77.18" (1,960.4 mm)
C. Overall width	89" (2,260.6 mm)		105" (2,667 mm)
D. Minimum distance	3" (76.2 mm)		1.5" (38.1 mm)
D. Maximum distance	18.5" (469.9 mm)		16.88" (428.7 mm)
E. Minimum distance	0		
E. Maximum distance	10.0031" (254.08 mm)		9.862" (250.49 mm)
F. Minimum distance	5-1/4" (133.375 mm)		1.25" (31.75 mm)
F. Maximum distance	17-1/2" (437.5 mm)		17.25" (438.15 mm)
G. Minimum distance	10" (254 mm)		
G. Maximum distance	21-5/8" (548.2 mm)		23" (584.2 mm)
Approx. Net weight	2,050 lb. (930 kg)	2,640 lb. (1,200 kg)	3,450 lb. (1,570 kg)
Packing Dimensions (L x W x H)	55" x 54" x 74" (1,400 x 1,370 x 1,880 mm)	70" x 62" x 76" (1,778 x 1,575 x 1,930 mm)	70" x 62" x 76" (1,778 x 1,575 x 1,930 mm)

• Specifications are subject to change without notice for further design improvements.



SPECIFICATIONS	JF-5VS / JF-5EVS	JF-5VSL
Table size	10" x 54" (254 x 1,371.6 mm)	11.81" x 59" (300 x 1,500 mm)
T-slots	5/8" x 3	
Longitudinal travel	40" (1,016 mm) 36" (914.4 mm) with Powerfeed	40" (1,016 mm) 36" (914.4 mm) with Powerfeed
Cross travel	16" (406.4 mm)	16.2" (411.5 mm)
Vertical travel of knee	16" (406.4 mm)	18.1" (459.7 mm)
Spindle motor	5 HP 3 Phase (Optional single phase on JF-5EVS)	
Spindle taper	NT# 40	
Spindle speeds	60 ~ 3,600 rpm Inverter drive electronic variable speed (JF-5EVS)	
Quill travel	6" (152.4 mm)	
Quill feeds	0.0017" (0.04 mm), 0.0032" (0.08 mm), 0.0053" (0.13 mm)	
Quill diameter	4.13" (104.9 mm)	
Swiveling angle of head	90°	
Head inward & outward	45°	
A. Overall height	105" (2,667 mm)	
B. Overall depth	77.18" (1,960.4 mm)	
C. Overall width	105" (2,667 mm)	108" (2,743 mm)
D. Minimum distance	1.5" (38.1 mm)	2.5" (63.5 mm)
D. Maximum distance	20.75" (527 mm)	18.5" (470 mm)
E. Minimum distance	0	
E. Maximum distance	9.862" (250.49 mm)	
F. Minimum distance	1.25" (31.75 mm)	
F. Maximum distance	17.25" (438.15 mm)	
G. Minimum distance	10" (254 mm)	
G. Maximum distance	23" (584.2 mm)	
Approx. Net weight	3,590 lb. (1,630 kg)	3,900 lb. (1,770 kg)
Packing Dimensions (L x W x H)	70" x 62" x 76" (1,778 x 1,570 x 1,930mm)	90" x 63" x 81" (2,286 x 1,600 x 2,060mm)

• Specifications are subject to change without notice for further design improvements.

STANDARD MACHINE ACCESSORIES

For Victor JF-2/3/4/5VS EVS:

- | | | |
|-------------|--------------------------------|-----------------------------------|
| 1. Draw Bar | 2. One-Shot Lubrication System | 3. Front & Rear Rubber Way Covers |
|-------------|--------------------------------|-----------------------------------|

For Victor JF-5VSL:

- | | | |
|--------------------------|----------------------------|---------------------|
| 1. Table Elevating Motor | 2. Coolant System | 3. Tool Box & Tools |
| 4. Electrical Panel | 5. Auto Lubrication System | |

OPTIONAL MACHINE ACCESSORIES

- | | | |
|----------------------------------|-------------------|----------------------|
| 1. Coolant Chip Tray | 2. Milling Vise | 3. Air Power Drawbar |
| 4. Halogen Work Light | 5. Coolant System | 6. Digital Readout |
| 7. Horizontal Milling Attachment | 8. Riser block | 9. Clamping Kit |
| 10. Powerfeed on X, Y, Knee Axis | 11. Rotary Table | 12. R8 collet set |



MACHINERY SOLUTIONS, INC.

For more information please call: (310) 537-2522

web-site: www.VictorMachines.com e-mail: info@VictorMachines.com